

ATLAS KOMPAKT

Excavator AC 35UF

Operating Weight	3.85 t
Engine power	18.5 kW /2200 rpm
Engine brand	KUBOTA
Standard Bucket Capacity	0.11 m ³
Max. Digging Depth	3.12 m



Parameter

 www.atlas-kompakt.com

ENGINE

Brand	Kubota
Model	D1703-E4B-SWD-1
Type	3 cylinder water cooled
Displacement	1647 cm ³
Power	18.5kW/2200rpm

ELECTRIC SYSTEM

Nominal Voltage	12 V
Batteries	63 Ah
Alternator	12 V - 40 A
Starter	12 V - 1.7 kW

DRIVE

Max. Travel Speed (2ns/1st)	4.2/2.3 km/h
Gradeability	30°
Max. Traction	33.5 kN

UNDERCARRIAGE

Undercarriage Width	1700 mm
Shoe Width	300 mm
Length to Center of Rollers	1670 mm
Track Length	2163 mm
Track Height	520 mm

BULLDOZING BOARD

Independent moving, controlled by the gear shift lever	
Length X Width	1700 x 366 mm
Max. Lifting Height	337 mm
Max. Cutting Depth	376 mm

DIMENSIONS

Counterweight Clearance	570 mm
Tail Swing Radius	850 mm
Shipping Length	4890 mm
Shipping Width	1700 mm
Shipping Height	2545 mm

WORKING RANGES

Max. Cutting Height	4925 mm
Max. Loading Height	3400 mm
Max. Digging Depth	3120 mm
Max. Vertical wall Digging Depth	2665 mm
Max. Digging Reach	5390 mm
Max. Reach at Ground Level	5260 mm
Bucket Digging Force	22.53 kN
Stick Digging Force	31.8 kN
Ground Pressure	32.3 kPa
Swing Speed	9 rpm

CAPACITY

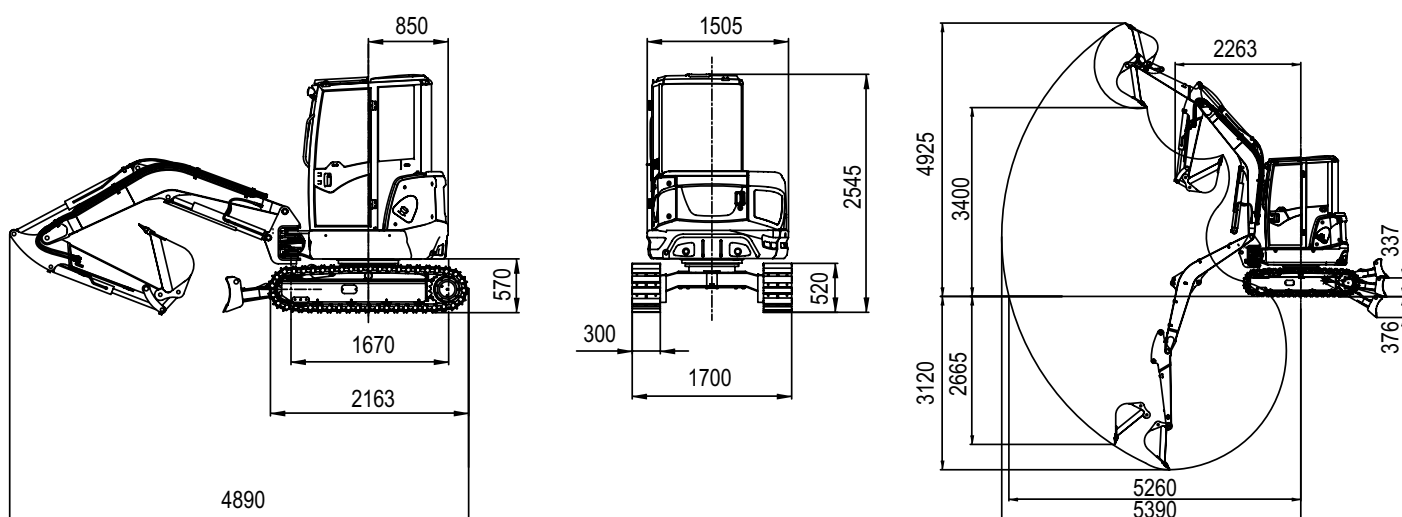
Fuel Tank	40 L
Hydraulic Oil Tank	41 L

HYDRAULIC SYSTEM

Main Pumps	
Type	1 Variable pump
Displacement	88 L/min
Working Pressure	24,5 Mpa

Working Ranges

Excavator AC 35UF



Load Capacity

Lift point height	Lift Point Radius MAX		Lift Point Radius 4.0 m		Lift Point Radius 3.5 m		Lift Point Radius 3.0 m		Lift Point Radius 2.5 m	
	Over-front (kg)	Over-side (kg)	Over-front (kg)	Over-side (kg)	Over-front (kg)	Over-side (kg)	Over-front (kg)	Over-side (kg)	Over-front (kg)	Over-side (kg)
3.0	687.3*	382.5	—	—	—	—	—	—	—	—
2.0	774.3*	292.5	817.8*	382.5	878.7*	472.5	1017.9*	645.0	1226.7*	847.5
1.0	809.1*	262.5	957*	337.5	1078.8*	427.5	1357.2*	555.0	1853.1*	757.5

Notes:

- 1) Load with * is limited by hydraulic capacity and based on ISO 10567. Rated loads do not exceed 87% of hydraulic capacity.
- 2) Load without * is limited by tipping load and based on ISO 10567. Rated loads do not exceed 75% of tipping capacity.